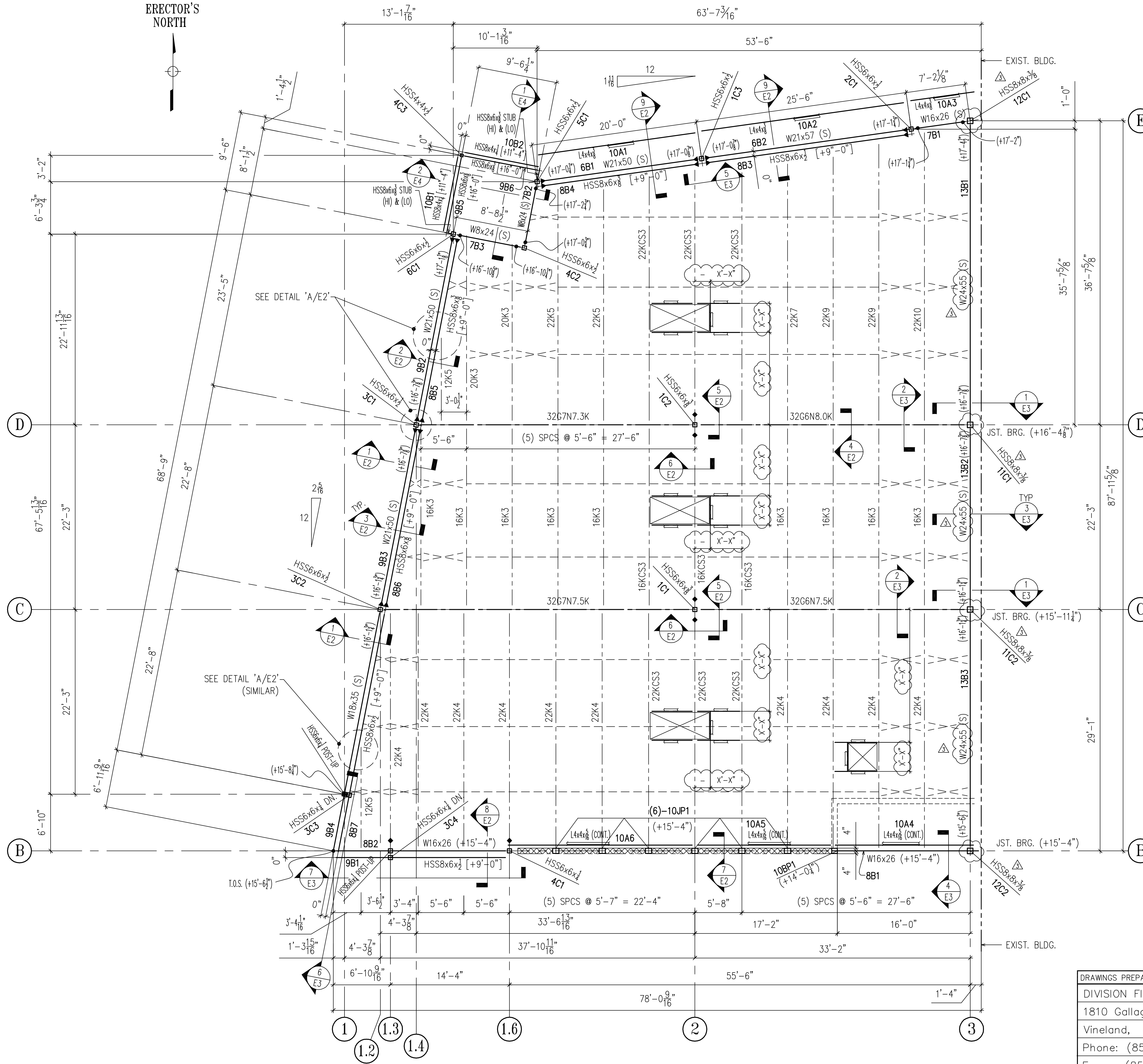


ERECTOR'S NORTH



**ROOF FRAMING PLAN**

- NOTES:
- 1) ALL ELEVATIONS TAKEN FROM FINISH FLOOR DATUM ELEV. (+0'-0"). (ACTUAL = +57.56')
  - 2) ALL TOP OF STEEL ELEVATIONS SHOWN THUS (+X'-X") ON PLAN.
  - 3) ALL WF SHAPES TO BE A992 (GR.50) STEEL  
ALL TUBES TO BE A500 (GR.B)  
ALL ANGLES, CHANNEL & PLATES TO BE A36
  - 4) ALL BOLTS TO BE 3/4"ØA325-SC BOLTS (U.N.O.)
  - 5) (S) ~ DENOTES SLOPING MEMBER
  - 6) [+X'-X"] ~ DENOTES BOTTOM OF STEEL ELEVATION.
  - 7) ~ DENOTES MOMENT CONNECTION @ WIND FRAME (SEE SECT. '5/E3')
  - 8) ~ DENOTES TIE JOIST CONNECTION w/FIXED BOTTOM CHORD EXTENSION
  - 9) - - - - DENOTES HORIZ. BRIDGING (SEE JOIST DWG'S)
  - 10) > < ~ DENOTES 'X'-BRIDGING (WELDED) (SEE JOIST DWG'S)
  - 11) SEE SECTION 10/E2 FOR BEARING PLATE SECTIONS

APPROVER / GC:  
PLEASE SUPPLY ROOF FRAME INFO.  
THANK YOU.

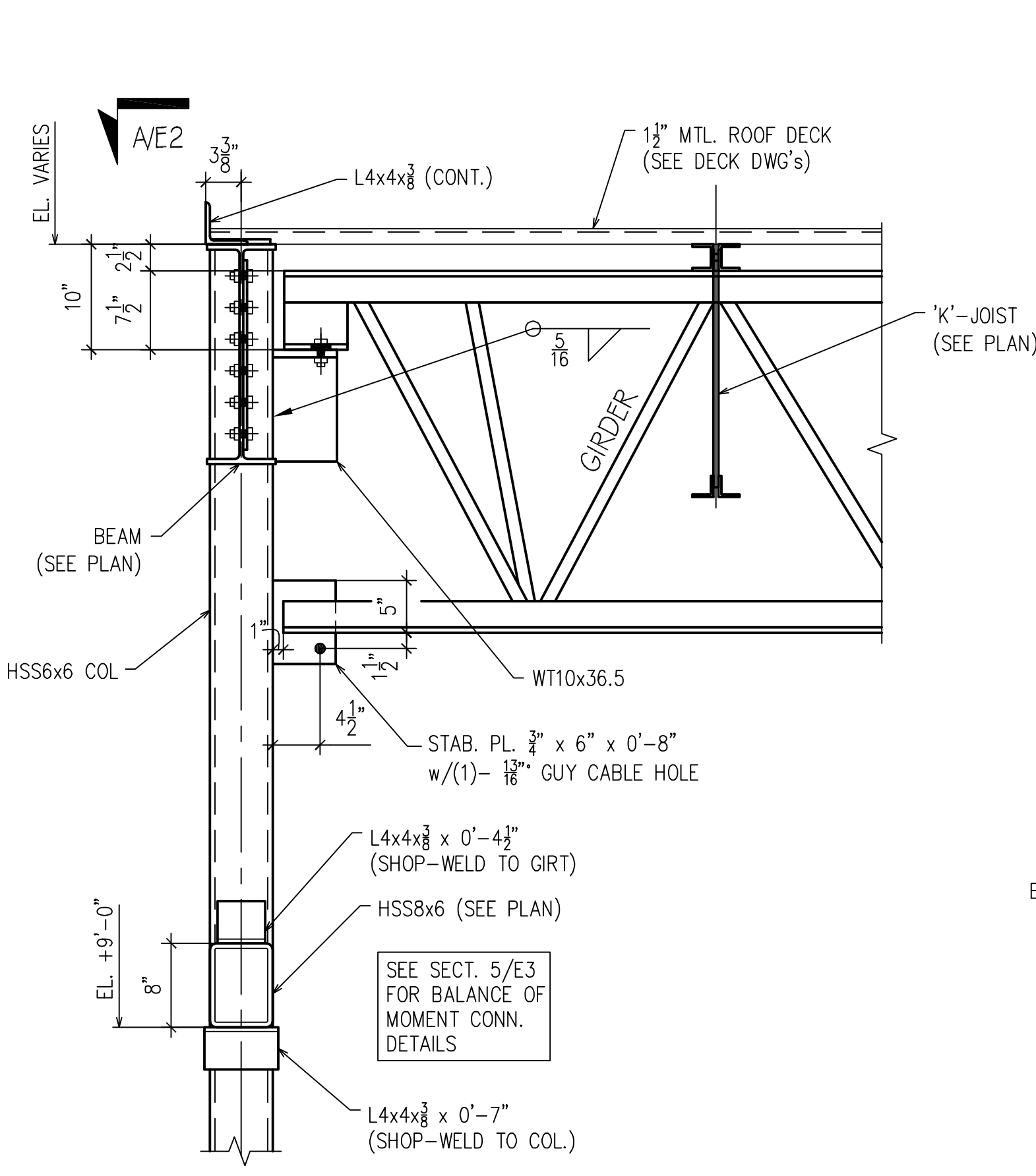
APPROVAL/REVIEW AUTHORITY:  
PLEASE REVIEW THIS DRAWING CAREFULLY.  
IT REPRESENTS OUR INTERPRETATION OF THE INTENT OF THE CONTRACT DOCUMENTS. HOWEVER, THE STEEL FABRICATOR AND THE STRUCTURAL STEEL DETAILER ASSUME NO RESPONSIBILITY FOR THE ACCURACY OF THE INFORMATION SHOWN ON THIS DRAWING. THIS IS THE RESPONSIBILITY OF THE BUYER.  
IT WILL BE ASSUMED THAT ALL INFORMATION SHOWN HEREIN HAS THE AFFIRMATION OF THE APPROVAL AUTHORITY (UNLESS NOTED TO THE CONTRARY ON THIS DRAWING WHEN IT IS RETURNED FROM APPROVAL.  
SUBSEQUENT CHANGES TO INFORMATION SHOWN ON THESE DRAWINGS AFTER FIRST SUBMISSION WILL BE CONSIDERED AS CONTRACT CHANGES.  
ADOPTED BY THE NATIONAL INSTITUTE OF STEEL DETAILING 1977.

**FOR FIELD USE**

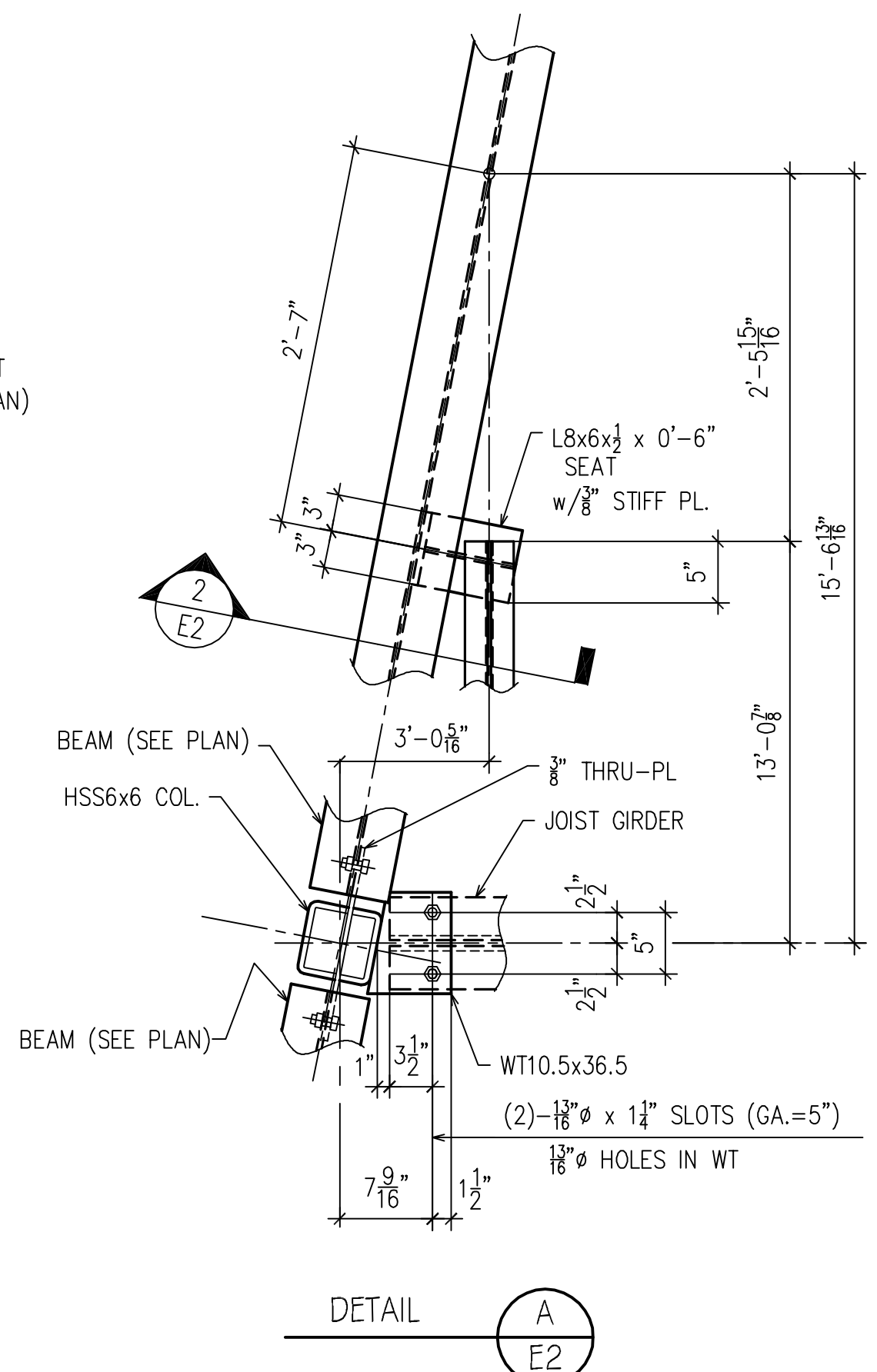
PAINT: ONE SHOP COAT U/NOTED	2/13/13	PER CONTRACT REV.		2/15/13	FOR FIELD
MATERIAL: A36 U/NOTED	10/25/12	PER CHECK			4th APPVL
HOLES: 13/16"Ø U/NOTED	8/22/12	ADDED POINTS			3rd APPVL
ELECTRODES: E70XX (LH) or Equiv.	8/14/12	FOR APPROVAL			2nd APPVL
TOTAL WEIGHT	NO DATE	DESCRIPTION	NO DATE	DESCRIPTION	8/14/12 1st APPVL
SC	BC	BCSC	REVISIONS		DATE

DRAWINGS PREPARED BY:  
DIVISION FIVE DETAILING INC.  
1810 Gallagher Drive  
Vineland, New Jersey 08360  
Phone: (856) 794-9474  
Fax: (856) 696-2027

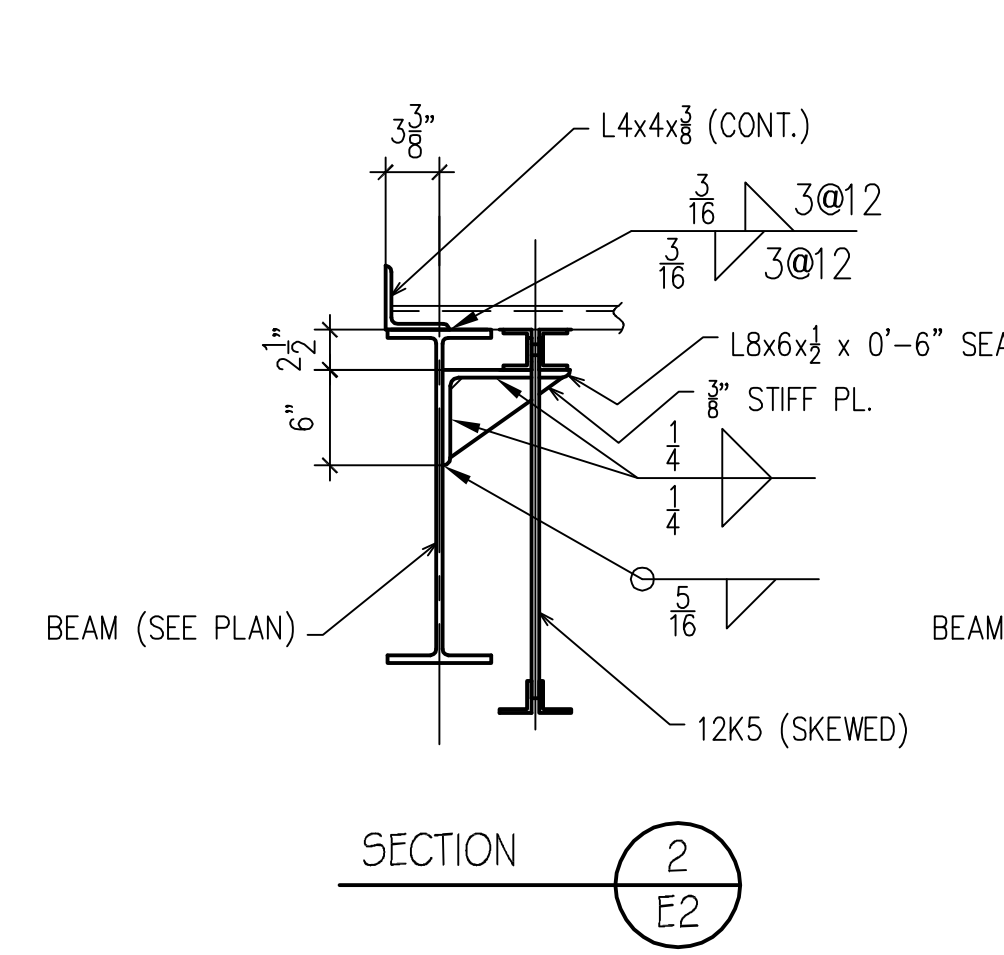
DRAFTER D5	PROJECT: SAFAVIEH HOME FURNISHINGS	CONTRACT NO.
DATE 8/9/12	LOCATION: PARAMUS, NJ	
CHECKED JB	DWG TITLE: ROOF FRAMING PLAN	DWG NO.
DATE 10/25/12		E1



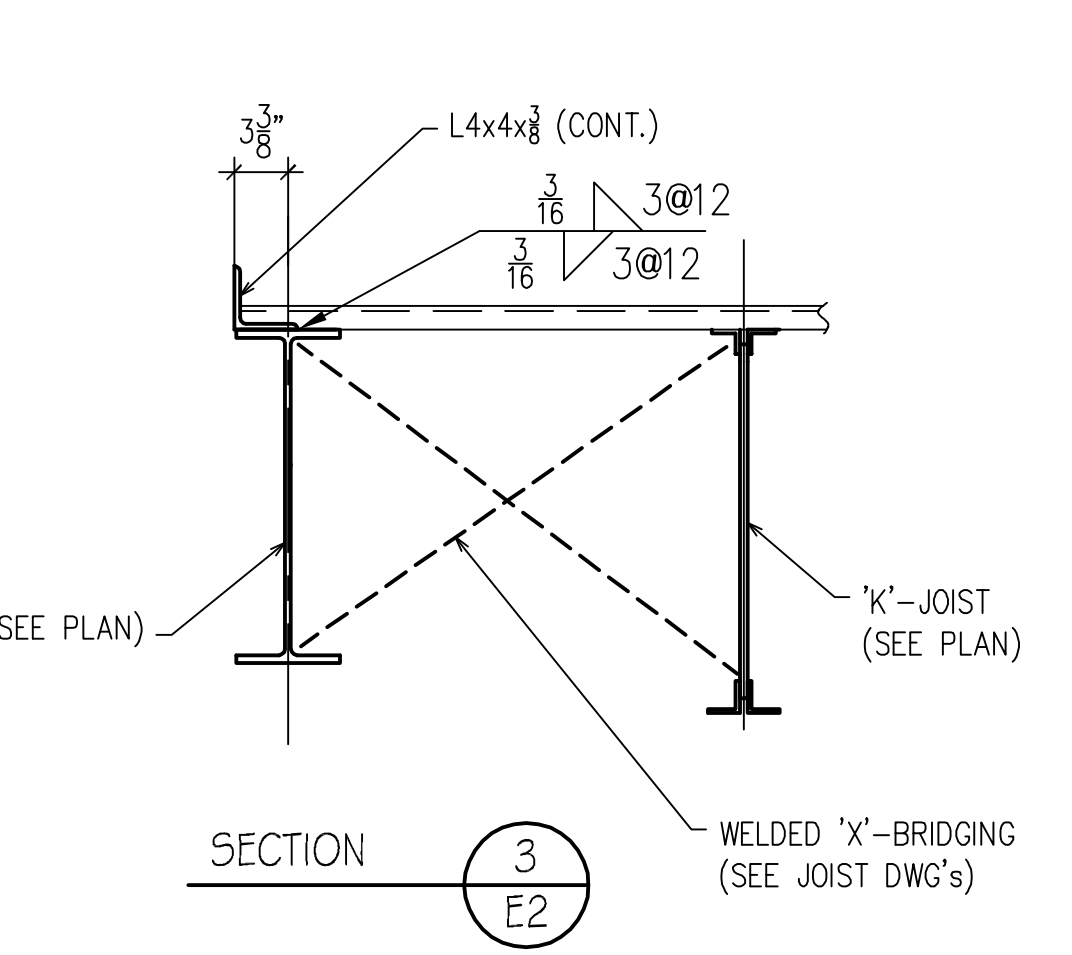
SECTION 1 E2



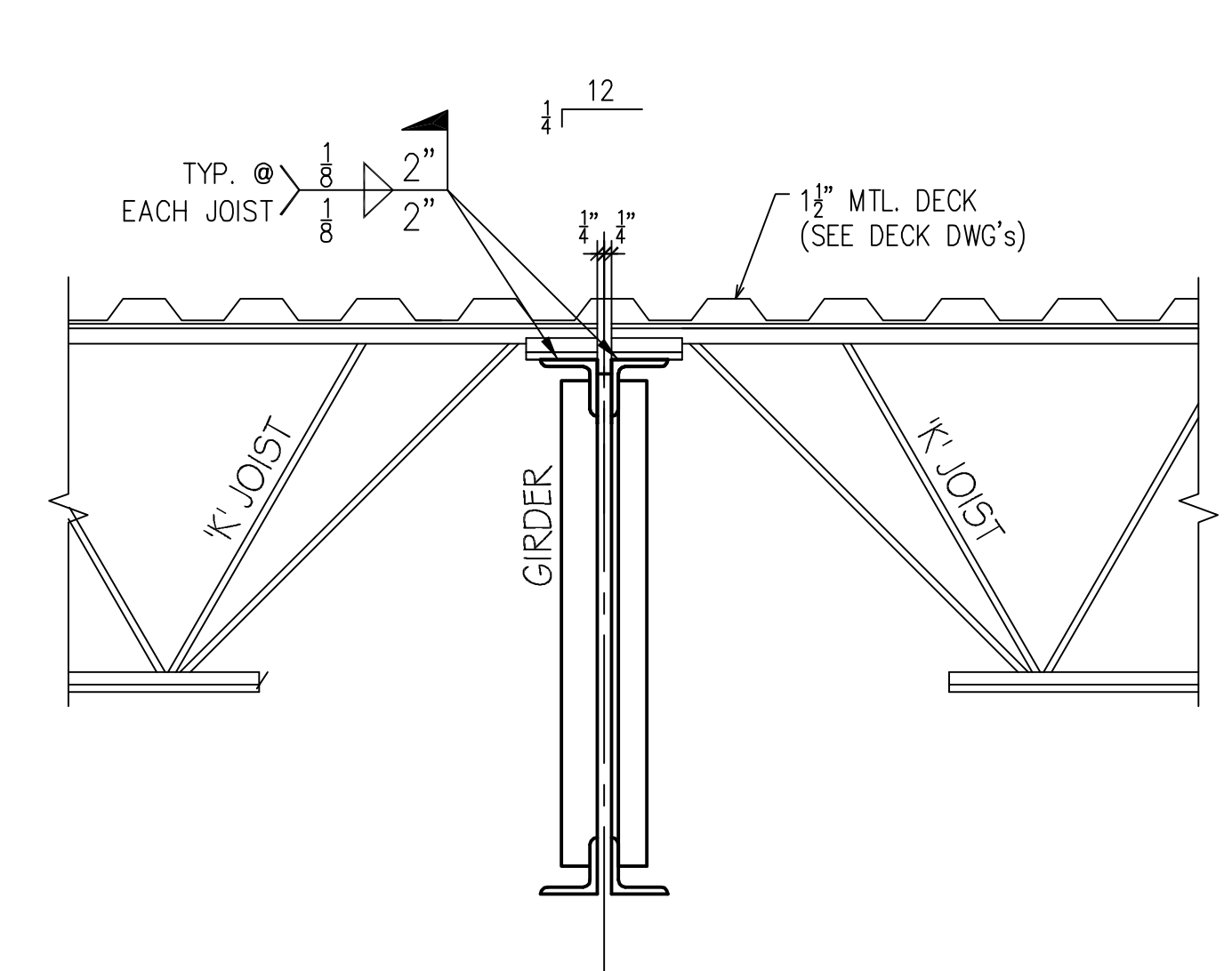
DETAIL A E2



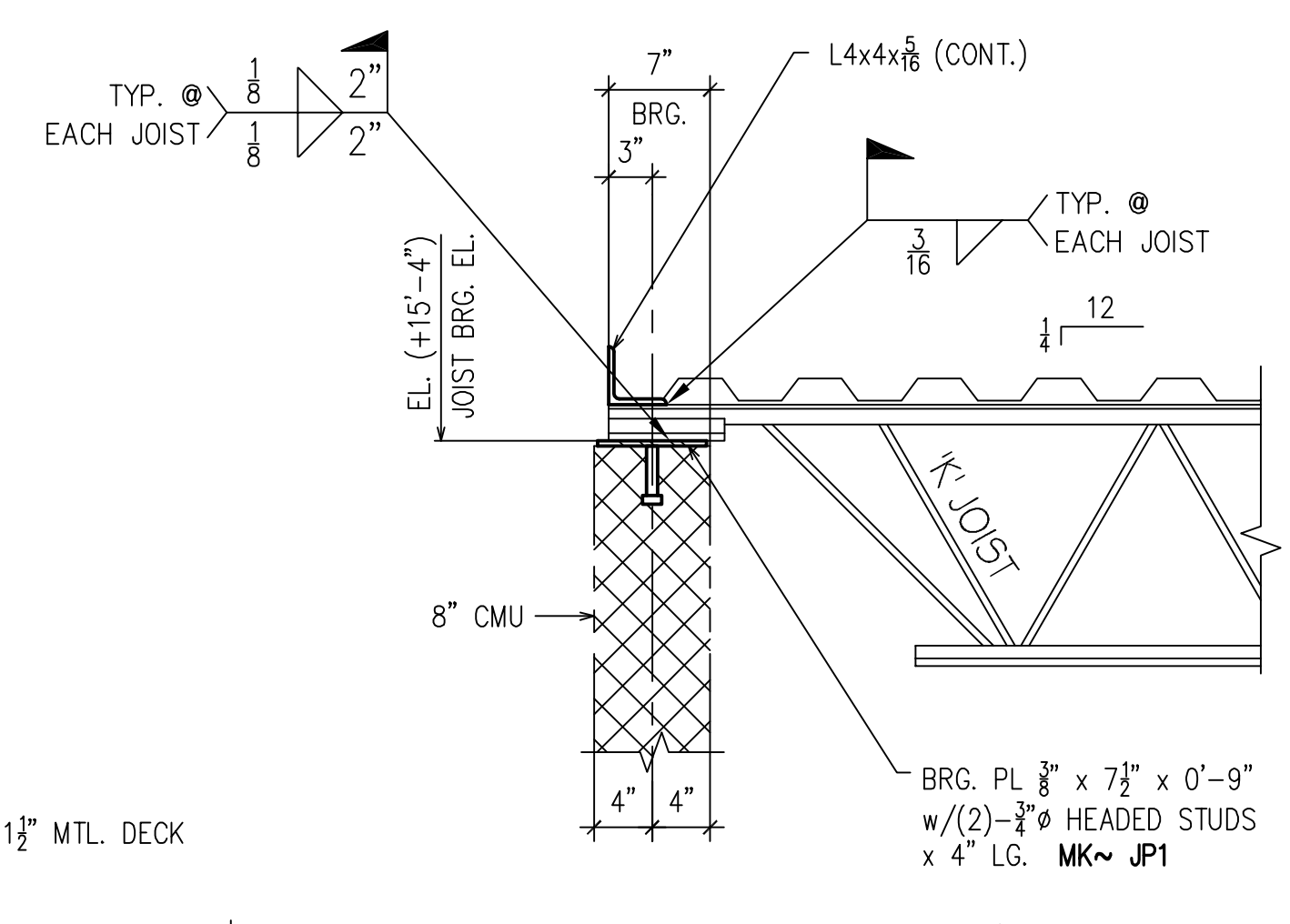
SECTION 2 E2



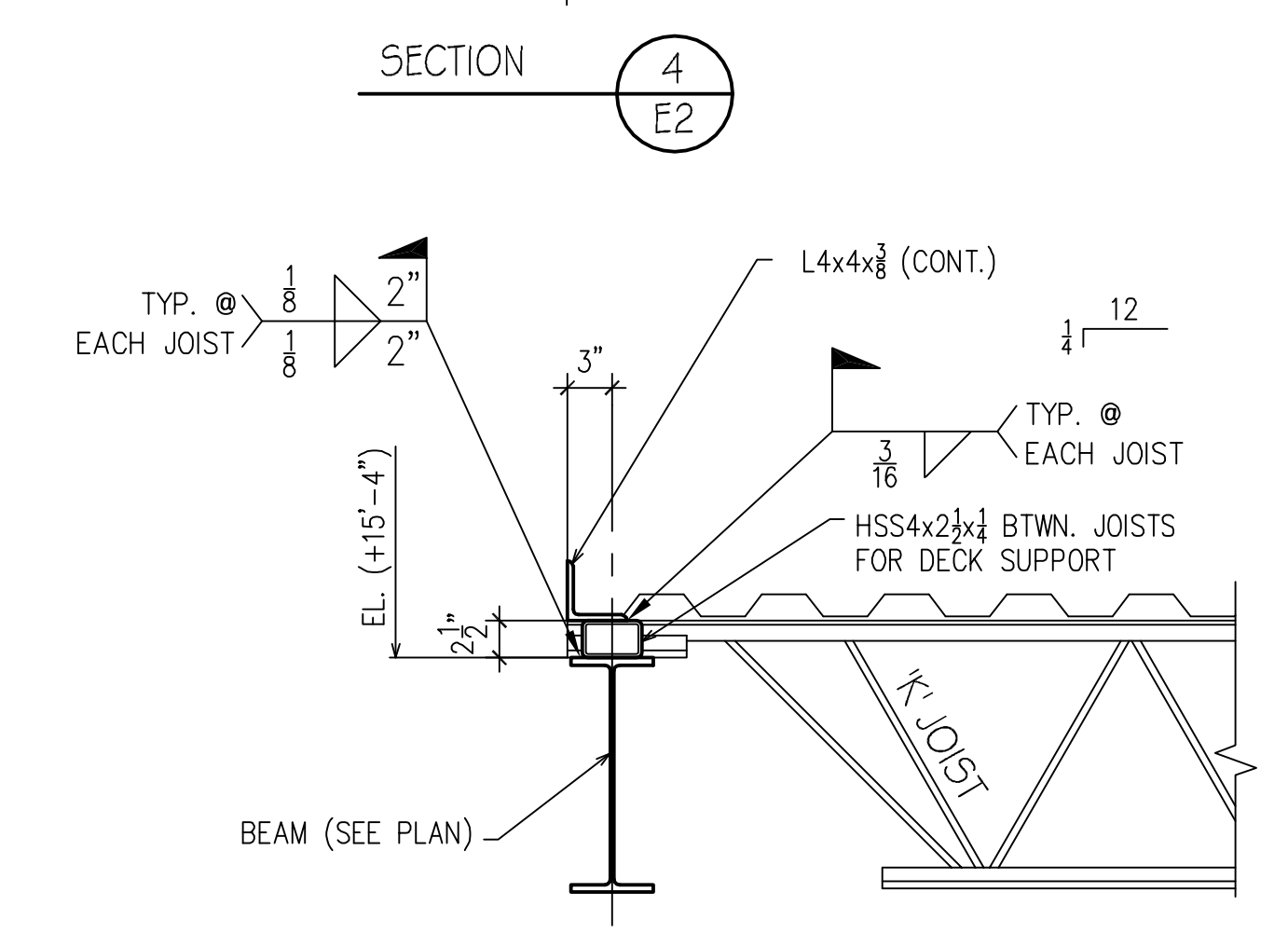
SECTION 3 E2



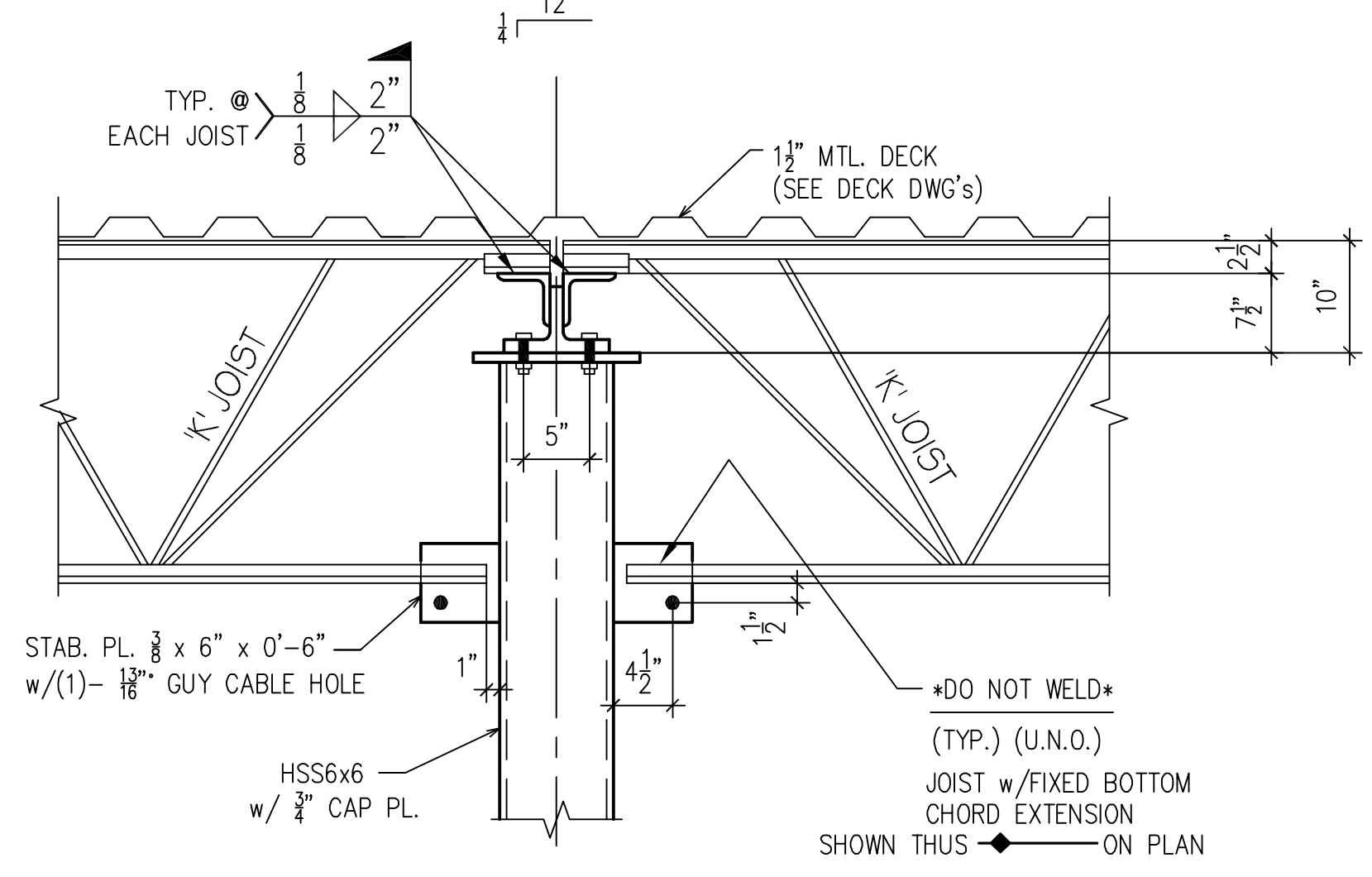
SECTION 4 E2



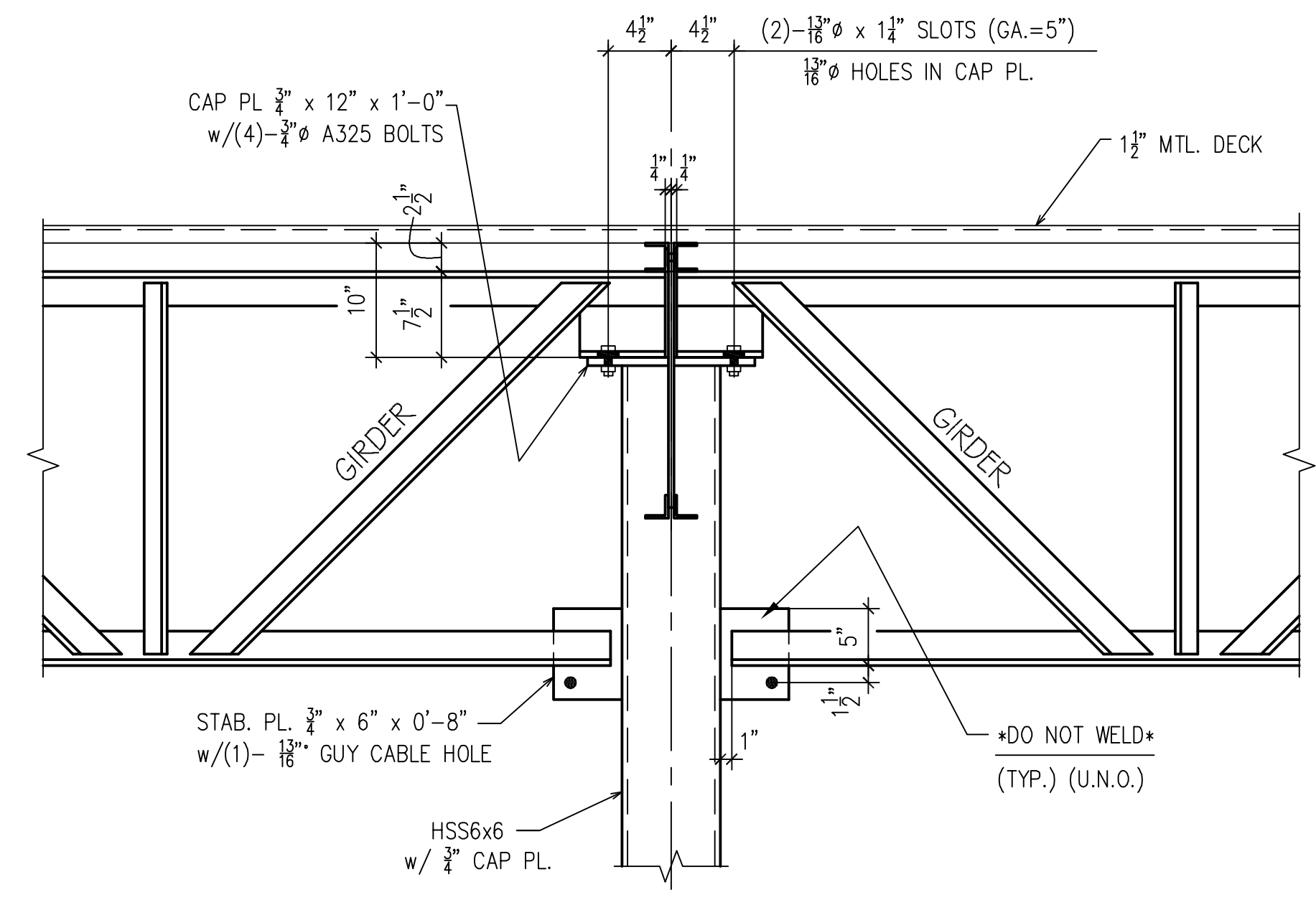
SECTION 7 E2



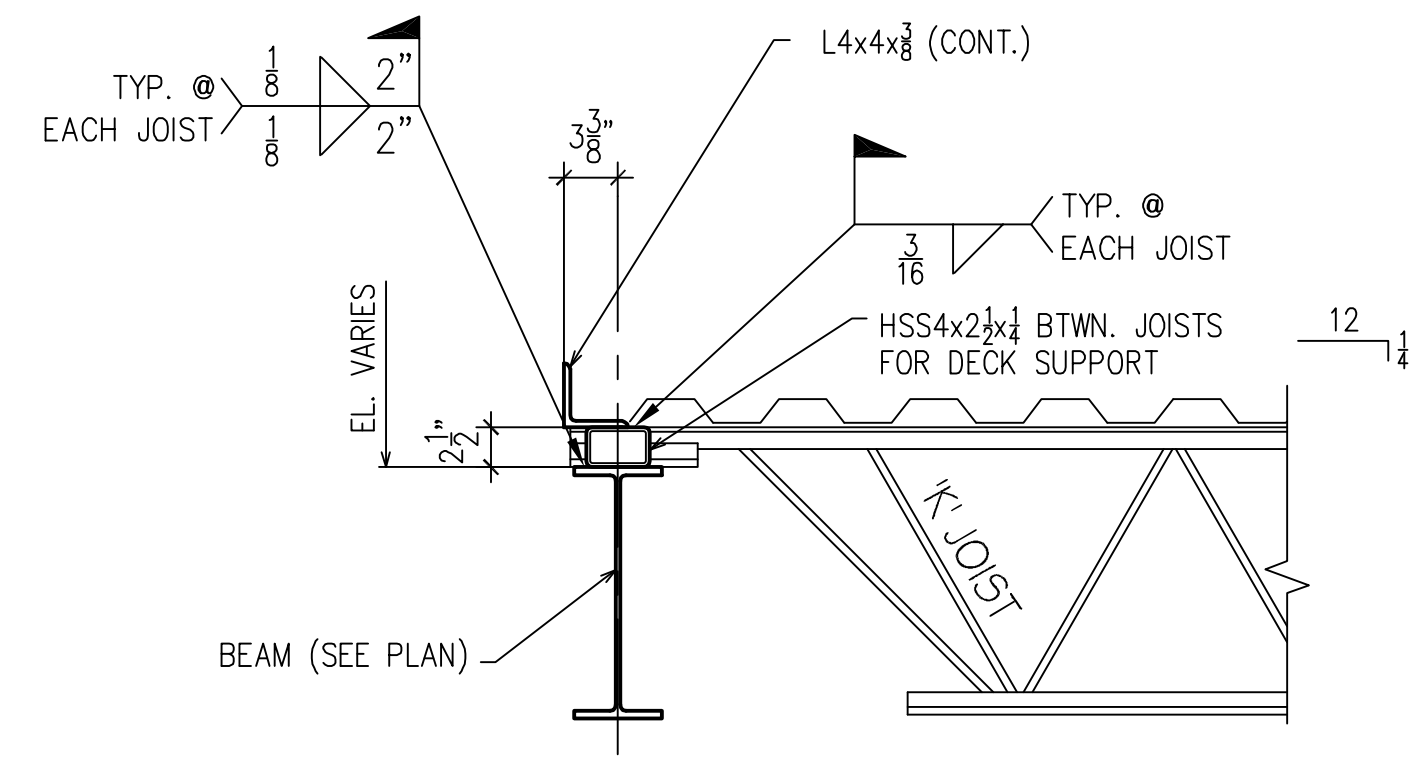
SECTION 8 E2



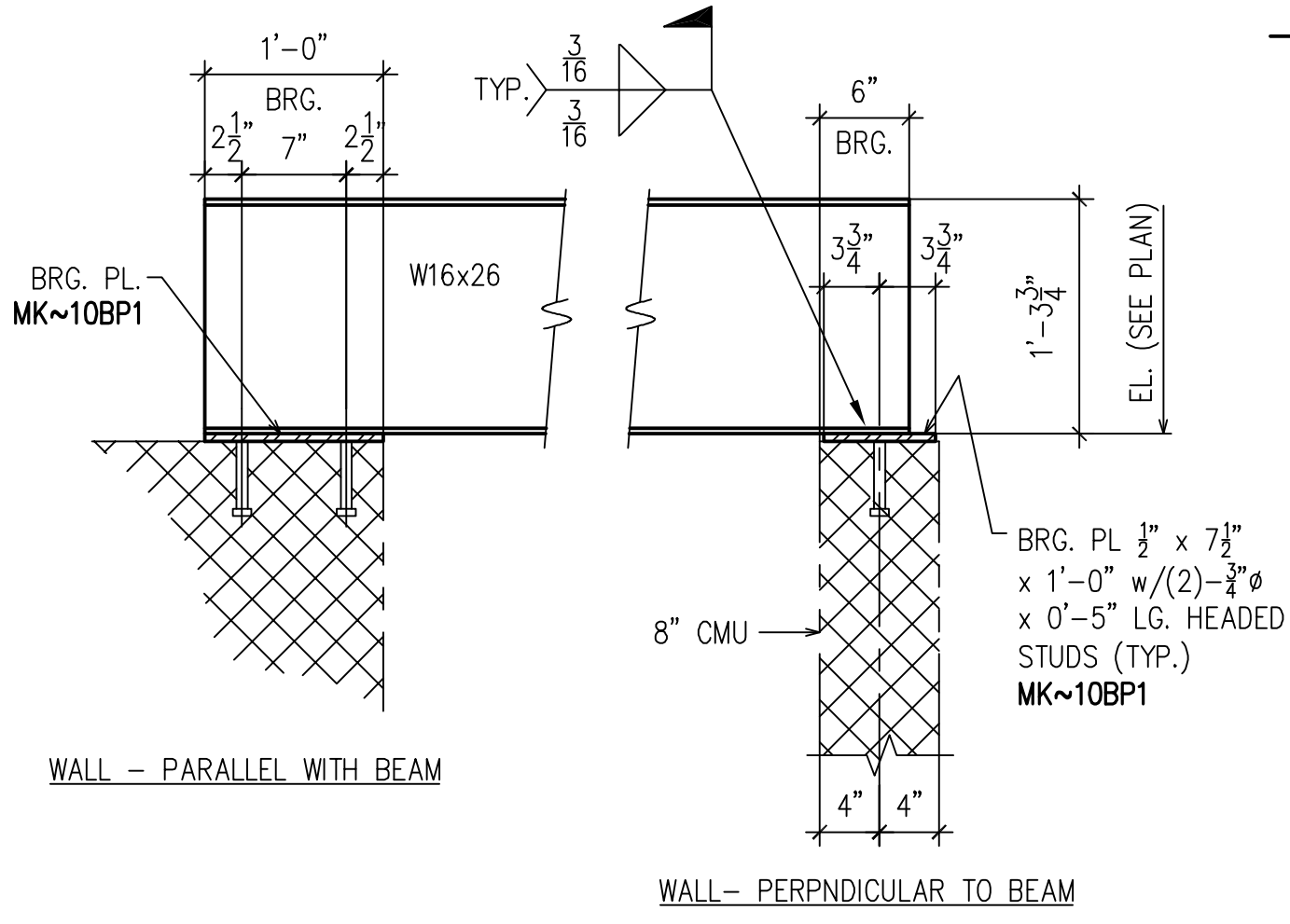
SECTION 5 E2



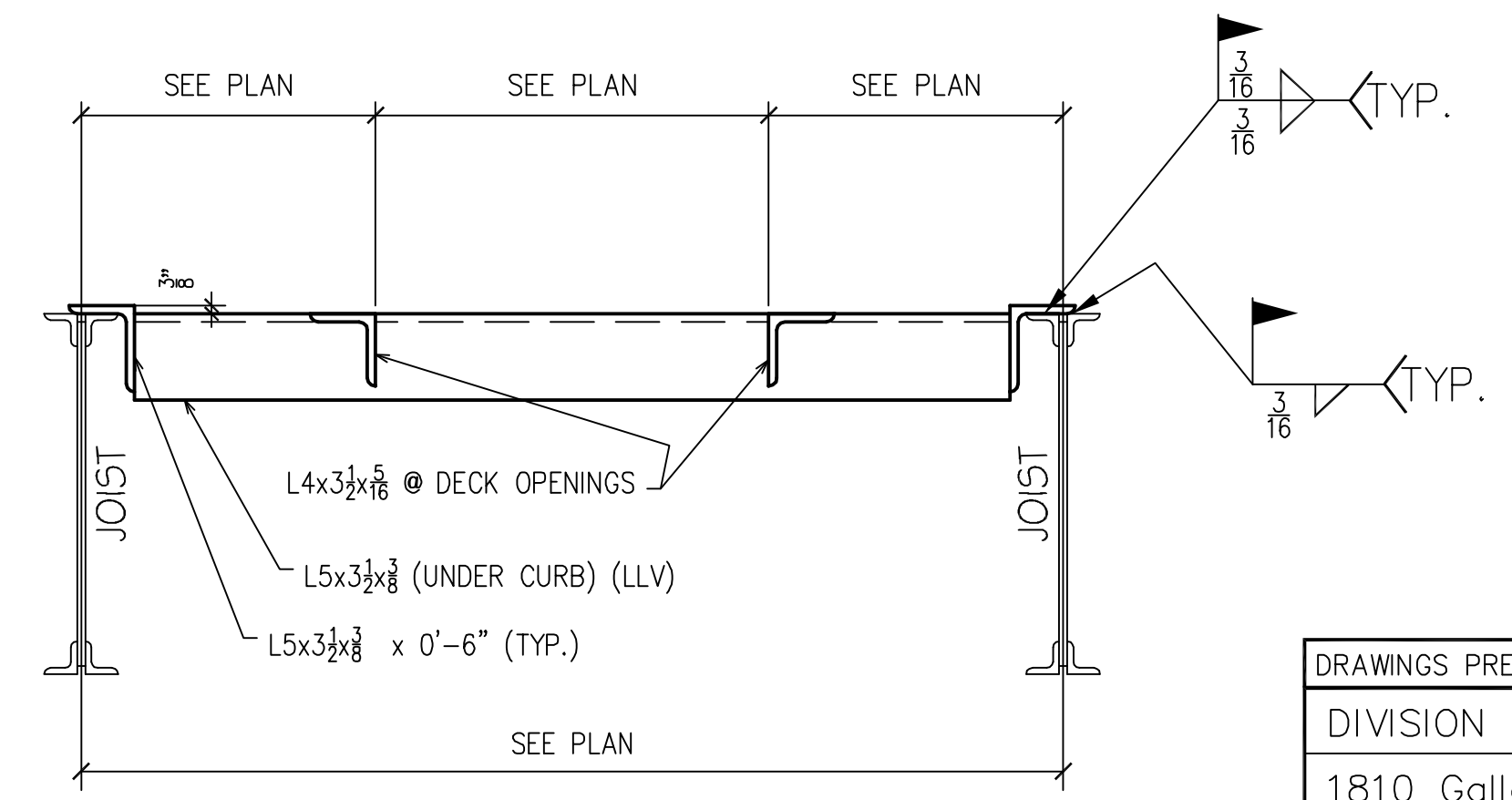
SECTION 6 E2



SECTION 9 E2



TYPICAL BEARING PLATE DETAIL



TYP. ROOF FRAME SECTION

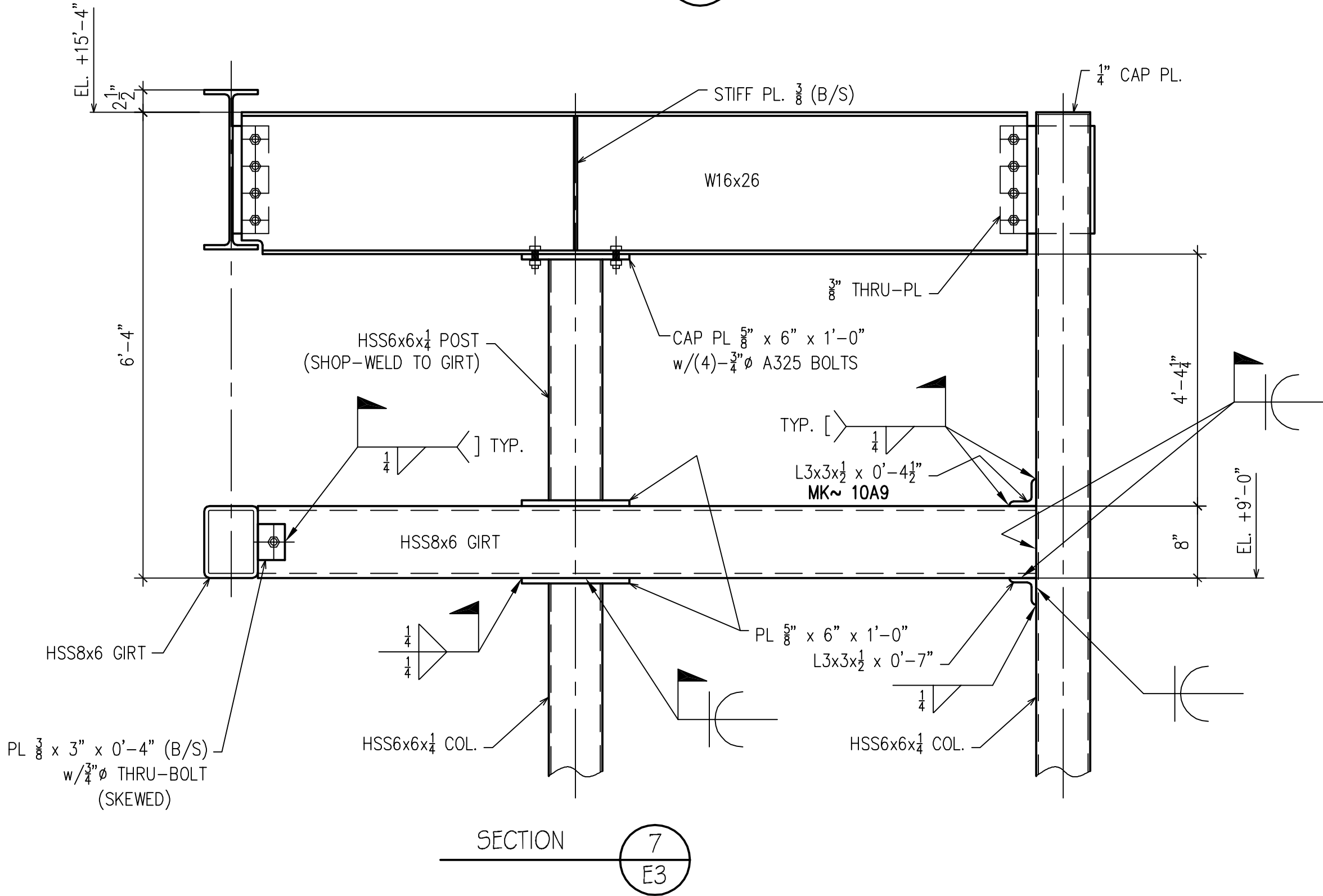
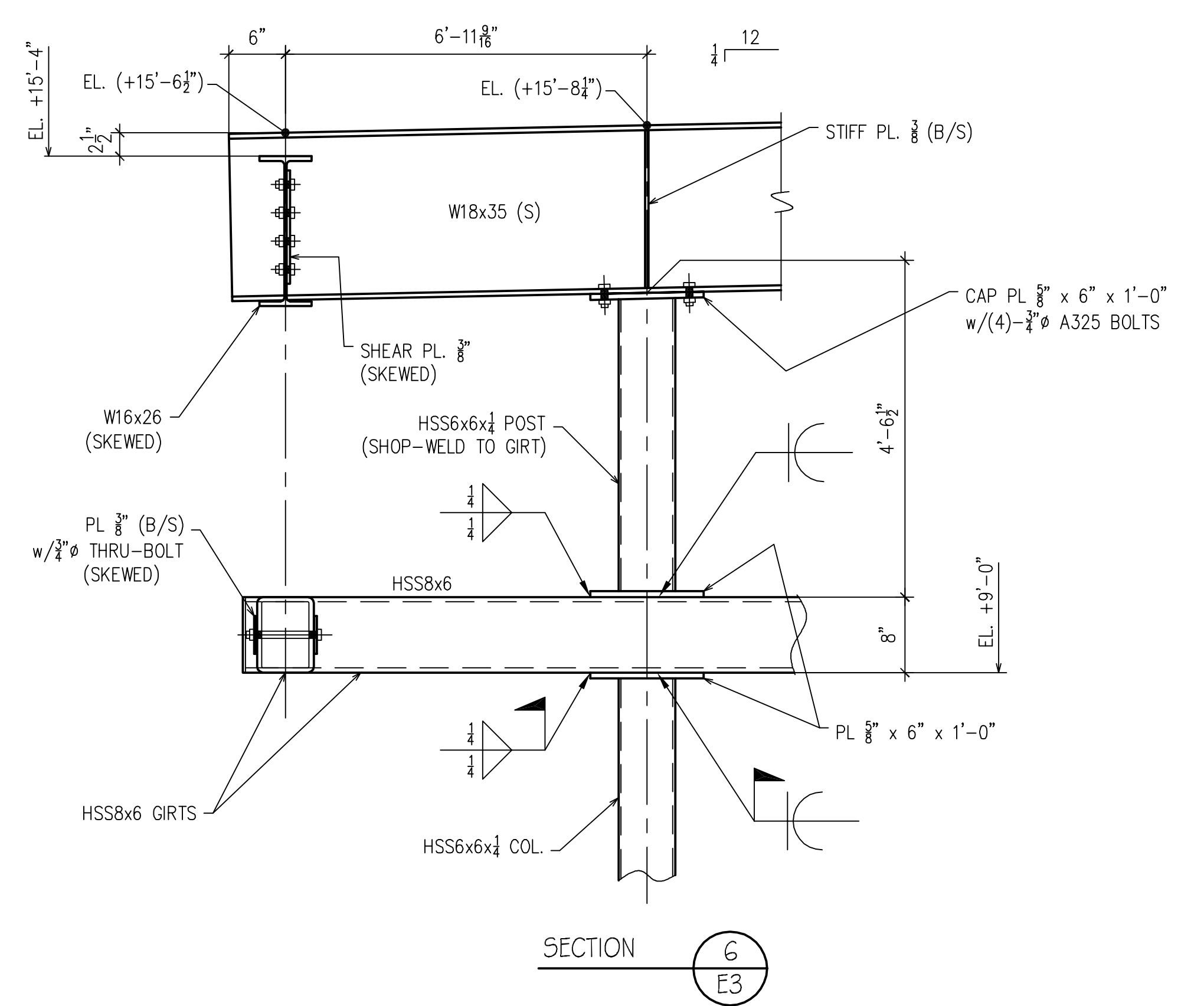
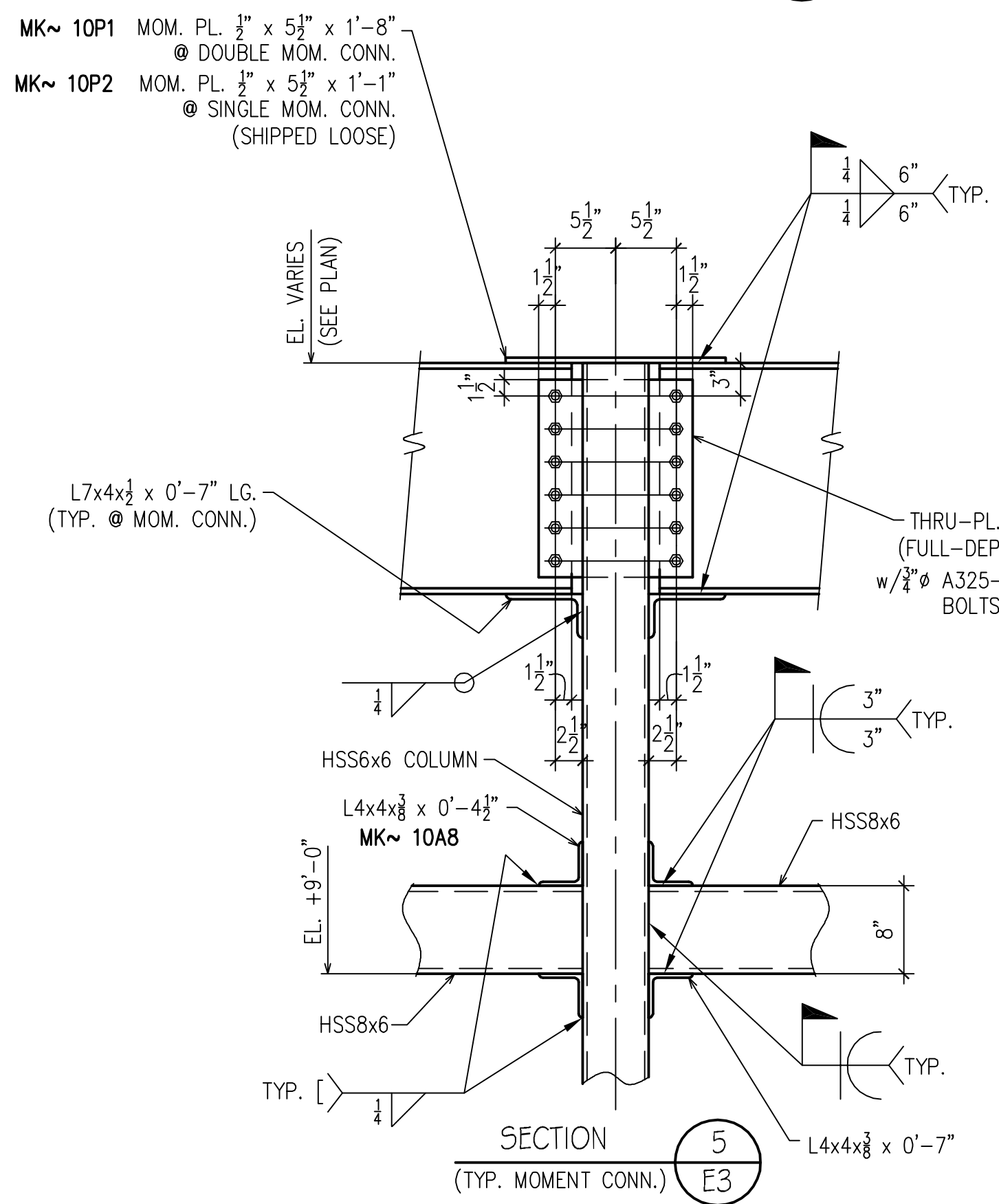
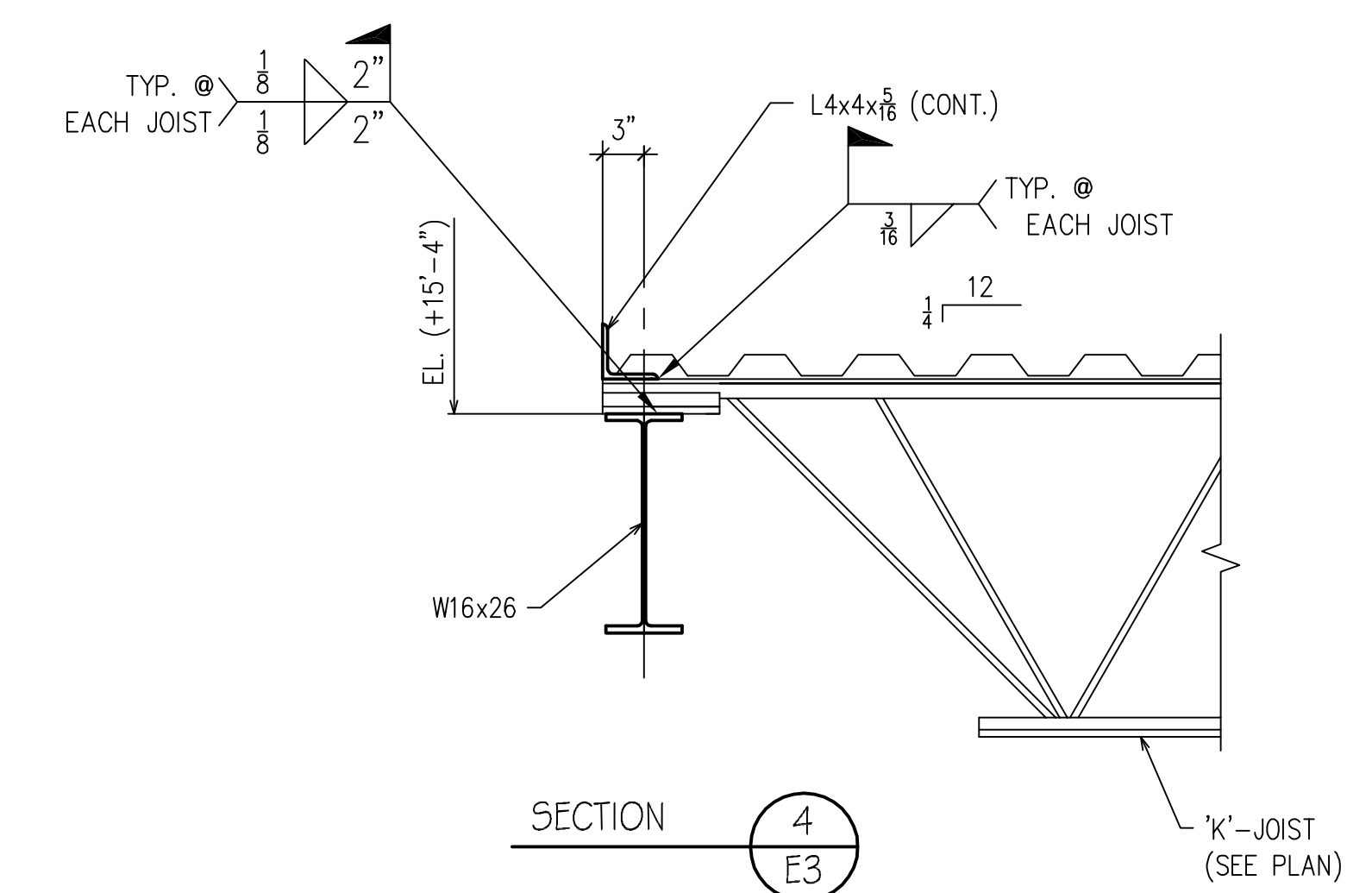
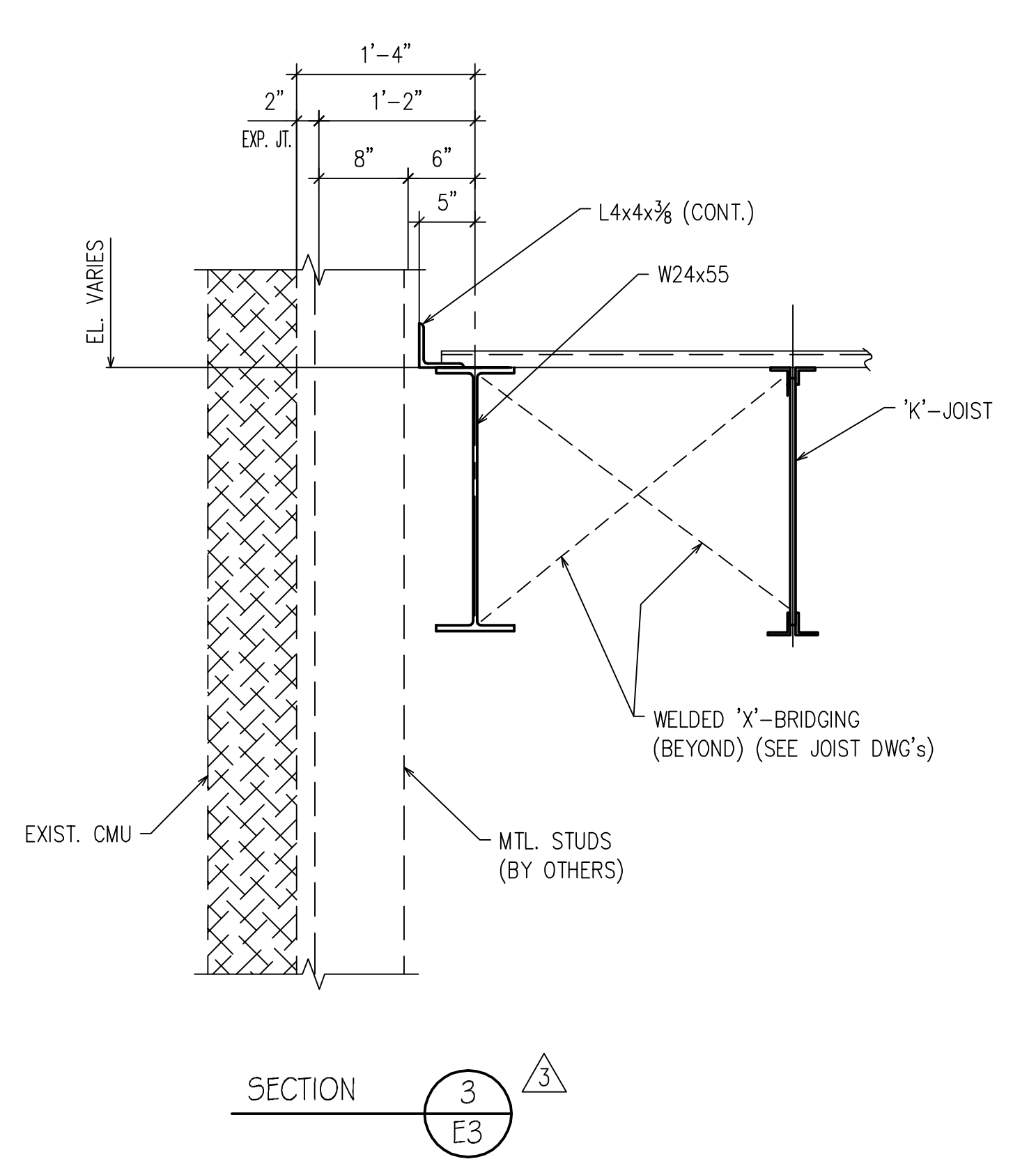
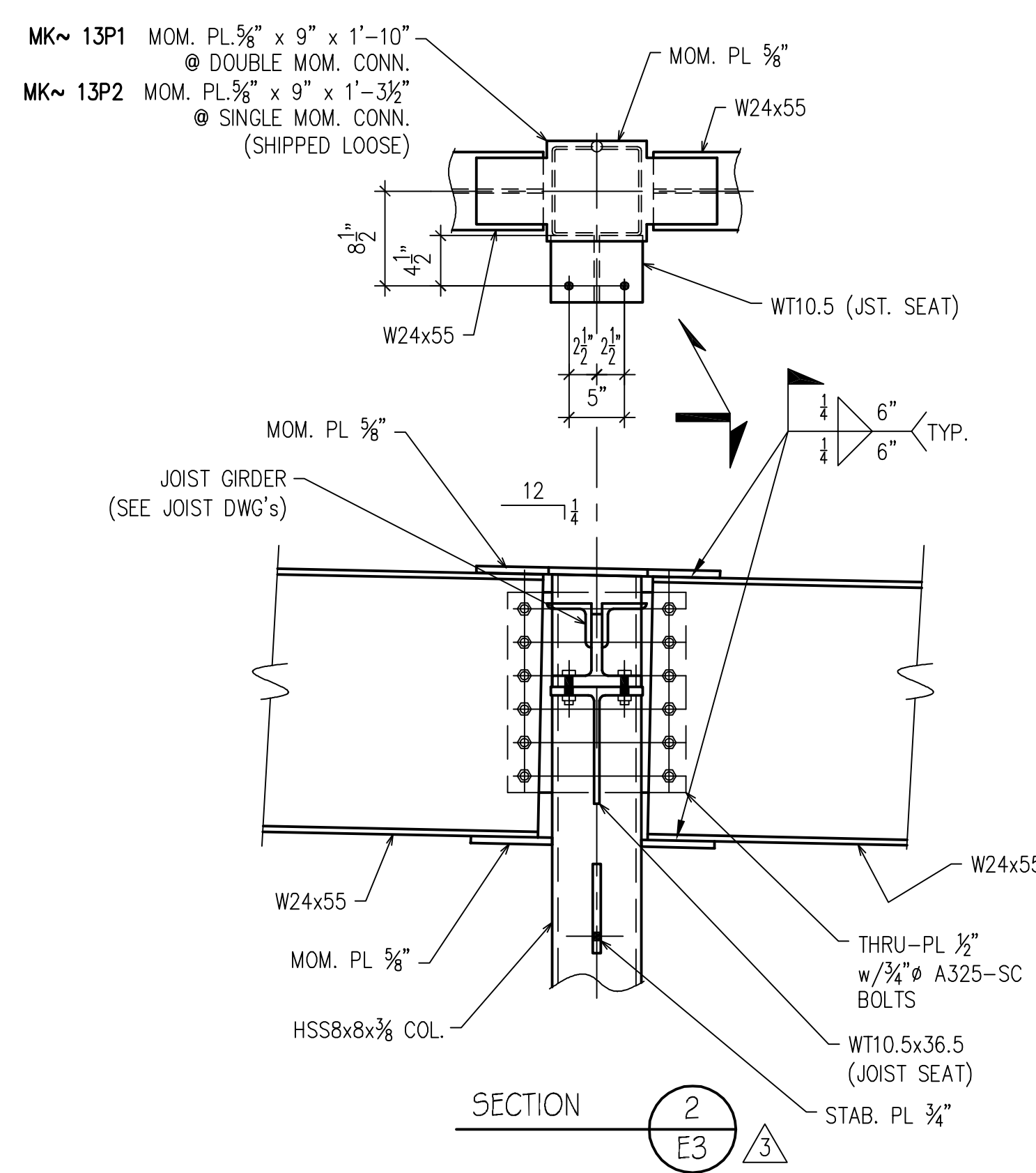
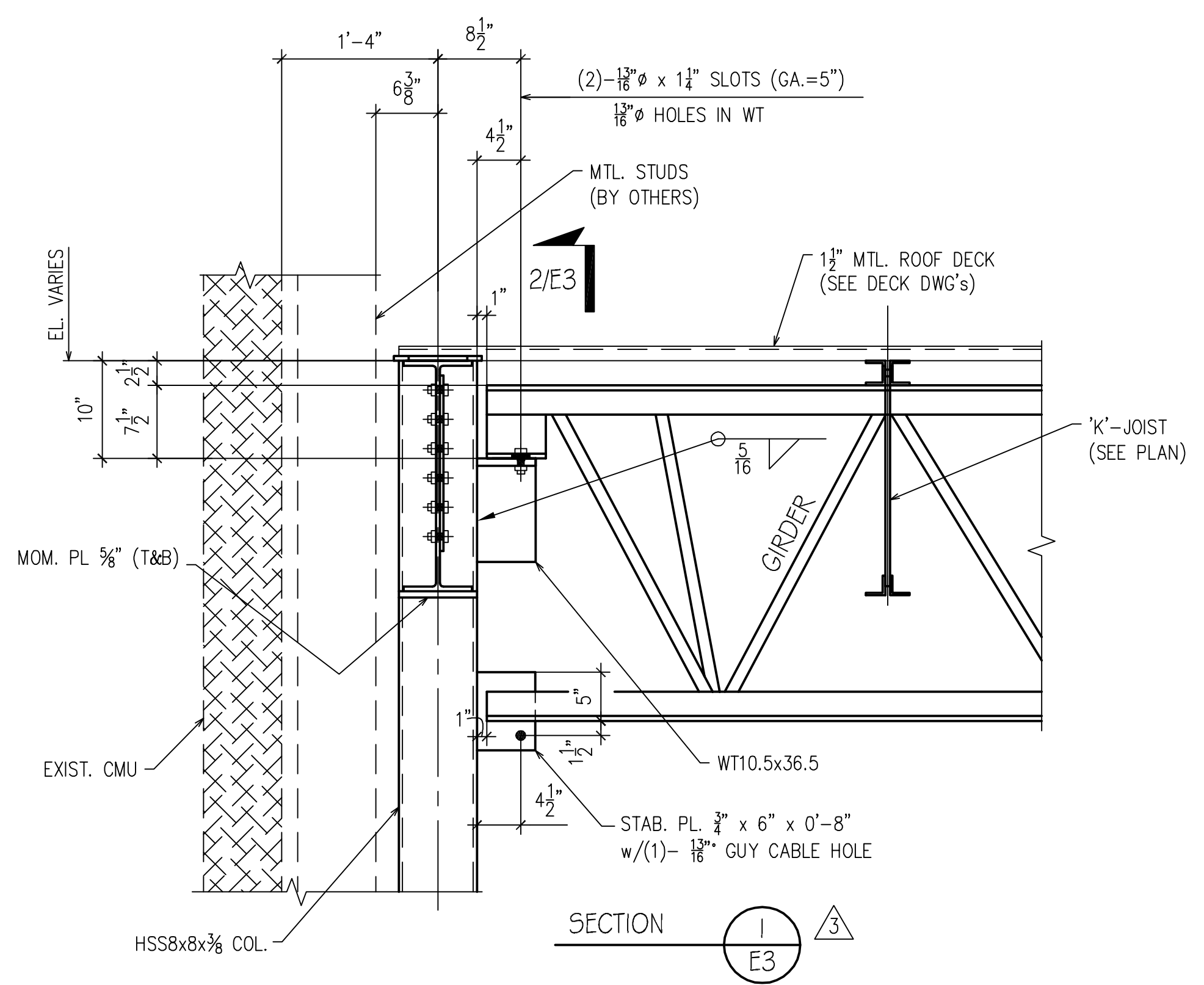
APPROVAL/REVIEW AUTHORITY:  
IT REPRESENTS OUR INTERPRETATION OF THE INTENT OF THE CONTRACT DOCUMENTS. HOWEVER, THE STEEL FABRICATOR AND THE STRUCTURAL STEEL DETAILER ASSUME NO RESPONSIBILITY FOR THE ACCURACY OF THE INFORMATION SHOWN ON THIS DRAWING. THIS IS THE RESPONSIBILITY OF THE BUYER.  
IT WILL BE ASSUMED THAT ALL INFORMATION SHOWN HEREIN HAS THE AFFIRMATION OF THE APPROVAL AUTHORITY UNLESS NOTED TO THE CONTRARY ON THIS DRAWING WHEN IT IS RETURNED FROM APPROVAL.  
SUBSEQUENT CHANGES TO INFORMATION SHOWN ON THESE DRAWINGS AFTER FIRST SUBMISSION WILL BE CONSIDERED AS CONTRACT CHANGES.  
ADOPTED BY THE NATIONAL INSTITUTE OF STEEL DETAILING 1977.

**FOR FIELD USE**

PAIN: ONE SHOP COAT U/NOTED					2/15/13	FOR FIELD	
MATERIAL: A36 U/NOTED	10/25/12	PER CHECK				4th APPVL	
HOLES: 13/16" U/NOTED	8/22/12	ADDED POMK's				3rd APPVL	
ELECTRODES: E70XX (LH) or Equiv.	8/14/12	FOR APPROVAL				2nd APPVL	
TOTAL WEIGHT	NO DATE	DESCRIPTION	NO DATE	DESCRIPTION	8/14/12	1st APPVL	
SC	BC	BCSC	REVISIONS			DATE	ISSUE

DRAWINGS PREPARED BY:  
DIVISION FIVE DETAILING INC.  
1810 Gallagher Drive  
Vineland, New Jersey 08360  
Phone: (856) 794-9474  
Fax: (856) 696-2027

DRAFTER D5	PROJECT: SAFAVIEH HOME FURNISHINGS	CONTRACT NO.
DATE 8/9/12	LOCATION: PARAMUS, NJ	
CHECKED JB	DWG TITLE: SECTIONS	DWG NO.
DATE 10/25/12		E2

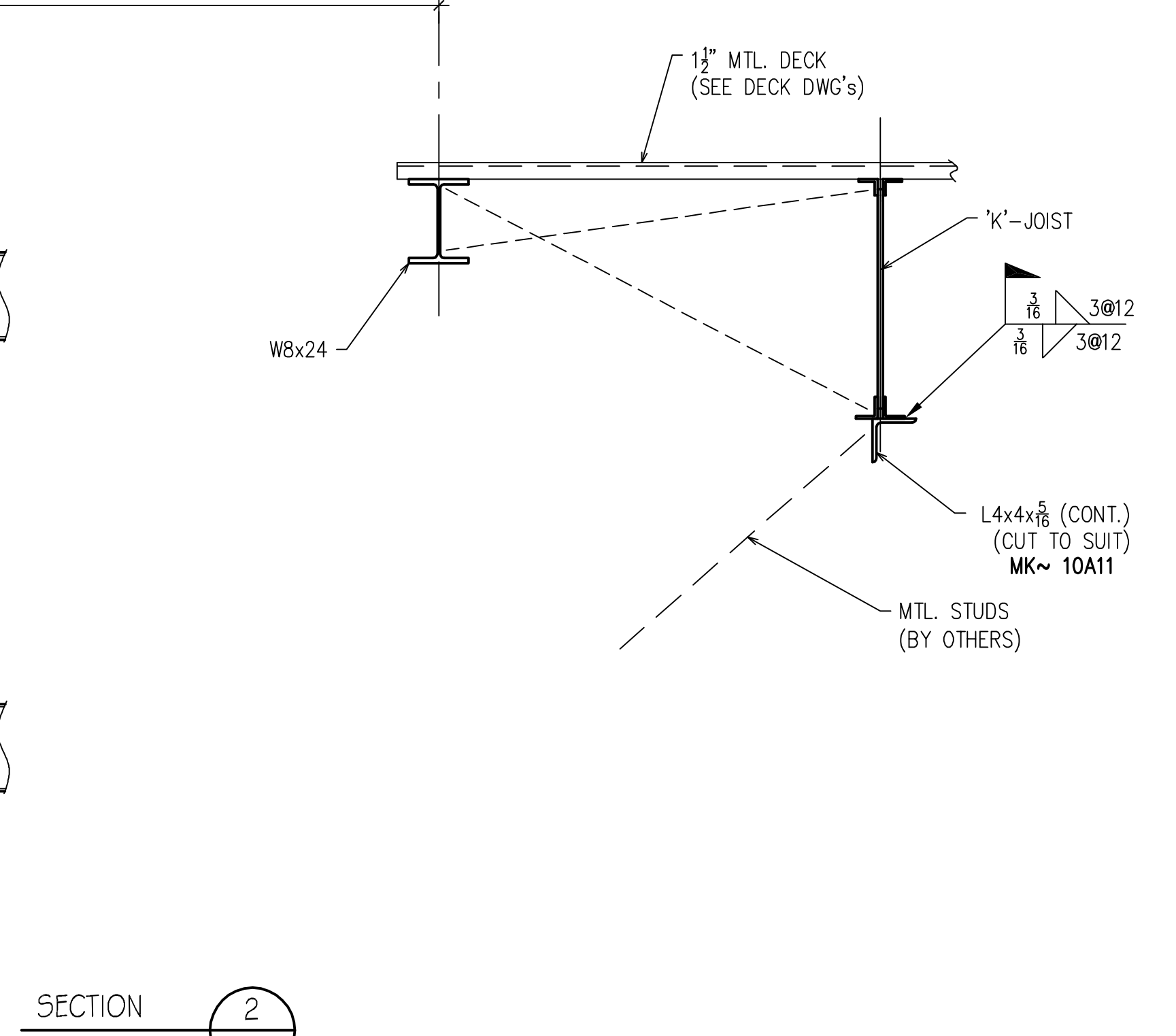
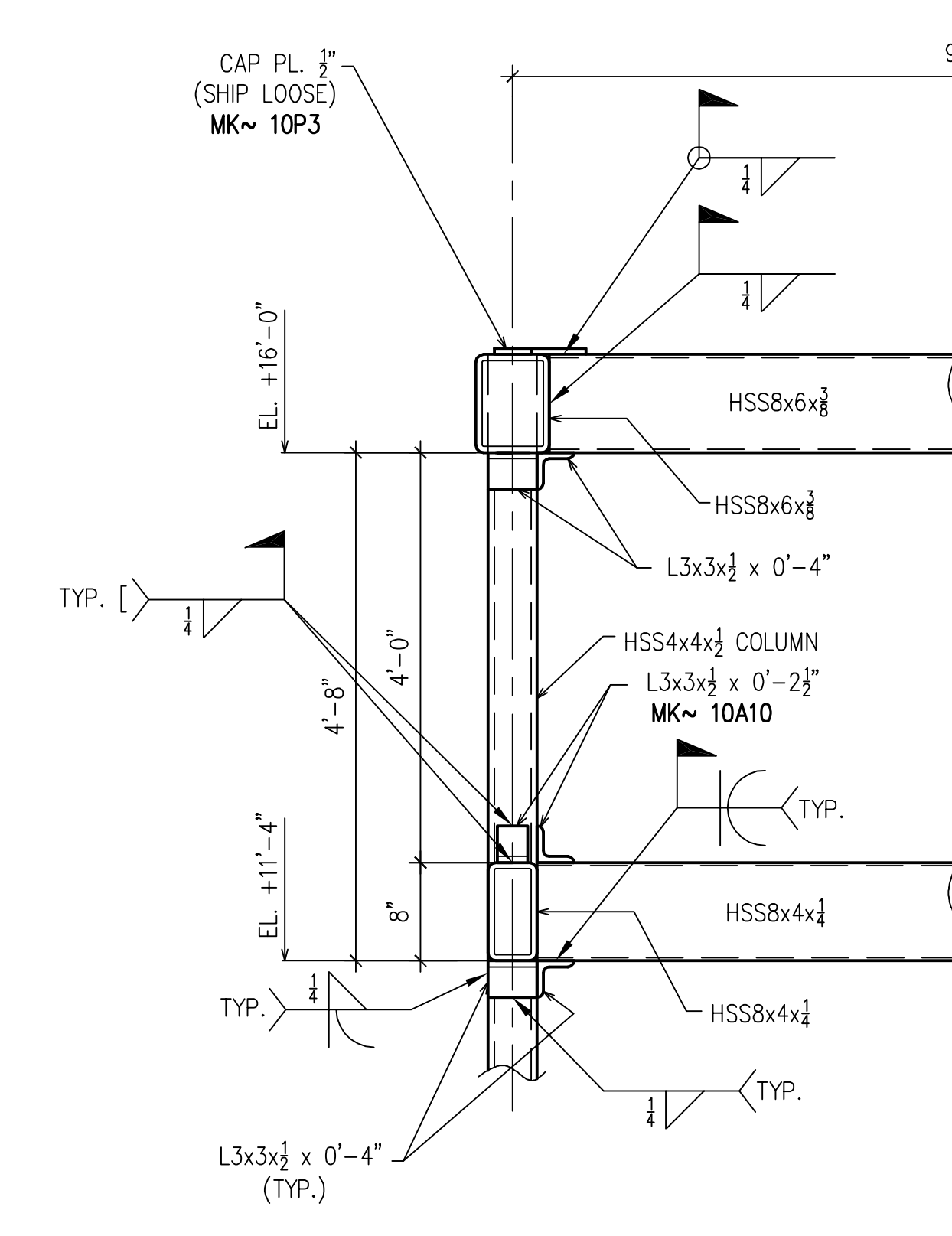
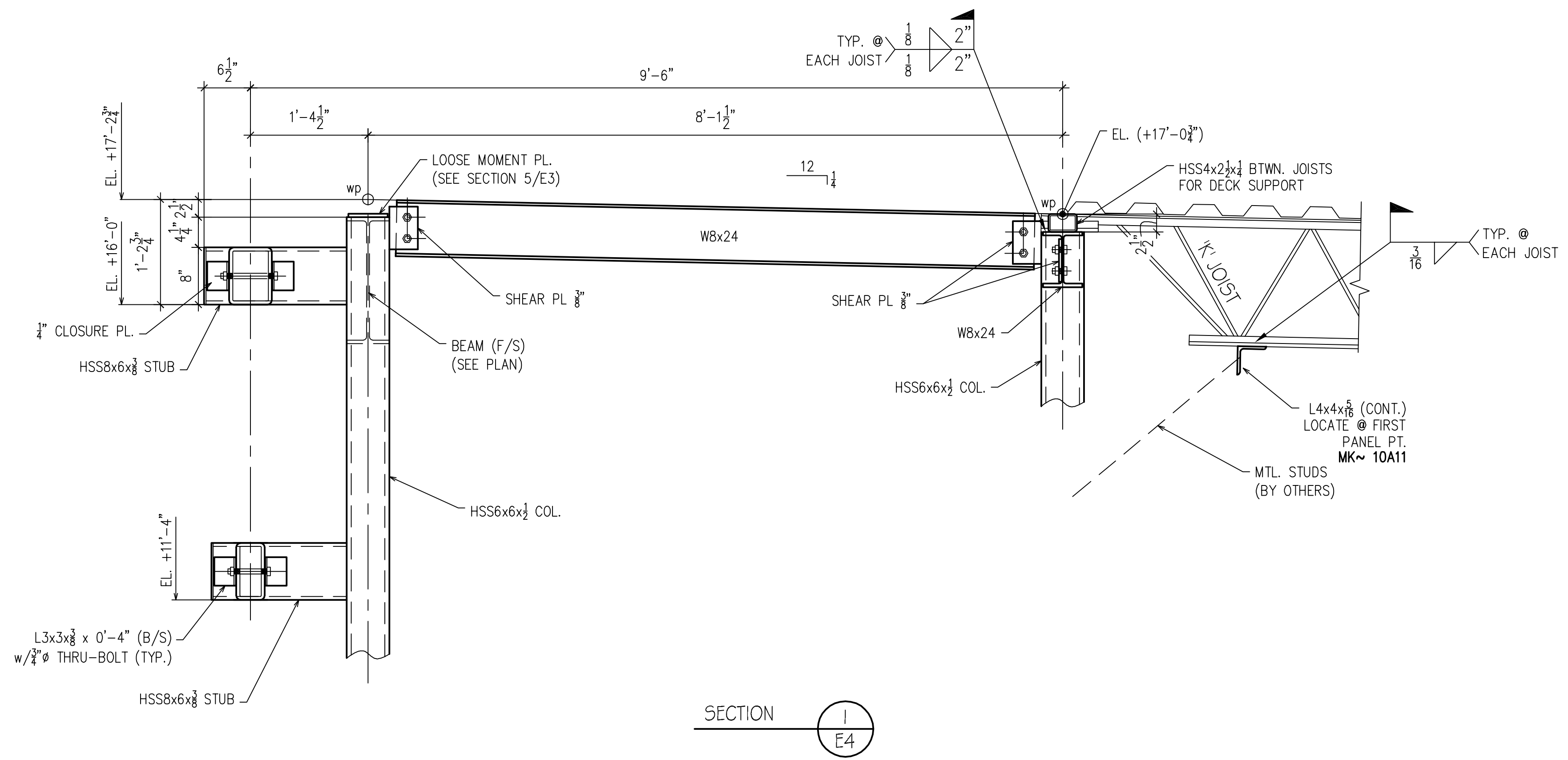


APPROVAL/REVIEW AUTHORITY:  
PLEASE REVIEW THIS DRAWING CAREFULLY.  
IT REPRESENTS OUR INTERPRETATION OF THE INTENT OF THE CONTRACT DOCUMENTS. HOWEVER, THE STEEL FABRICATOR AND THE STRUCTURAL STEEL DETAILER ASSUME NO RESPONSIBILITY FOR THE ACCURACY OF THE INFORMATION SHOWN ON THIS DRAWING. THIS IS THE RESPONSIBILITY OF THE BUYER.  
IT WILL BE ASSUMED THAT ALL INFORMATION SHOWN HEREIN HAS THE AFFIRMATION OF THE APPROVAL AUTHORITY UNLESS NOTED TO THE CONTRARY ON THIS DRAWING WHEN IT IS RETURNED FROM APPROVAL.  
SUBSEQUENT CHANGES TO INFORMATION SHOWN ON THESE DRAWINGS AFTER FIRST SUBMISSION SHALL BE CONSIDERED AS CONTRACT CHANGES.  
ADOPTED BY THE NATIONAL INSTITUTE OF STEEL DETAILING 1977.

**FOR FIELD USE**

DRAWINGS PREPARED BY:  
DIVISION FIVE DETAILING INC.  
1810 Gallagher Drive  
Vineland, New Jersey 08360  
Phone: (856) 794-9474  
Fax: (856) 696-2027

PAIN: ONE SHOP COAT U/NOTED	2/13/13	PER CONTRACT			2/15/13	FOR FIELD
MATERIAL: A36 U/NOTED	10/25/12	PER CHECK				4th APPVL
HOLES: 13/16" Ø U/NOTED	8/22/12	ADDED POK'S				3rd APPVL
ELECTRODES: E70XX (LH) or Equiv.	8/14/12	FOR APPROVAL				2nd APPVL
TOTAL WEIGHT	NO DATE	DESCRIPTION	NO DATE	DESCRIPTION	8/14/12	1st APPVL
SC	BC	BCSC	REVISIONS		DATE	ISSUE
CUSTOMER:						
DRAFTER D5	PROJECT: SAFAVIEH HOME FURNISHINGS	CONTRACT NO.				
DATE 8/9/12	LOCATION: PARAMUS, NJ	DWG NO.				
CHECKED JB	DWG TITLE: SECTIONS	DWG NO.				
DATE 10/25/12		E3				



SECTION 1  
E4

SECTION 2  
E4

APPROVAL/REVIEW AUTHORITY:  
PLEASE REVIEW THIS DRAWING CAREFULLY.  
IT REPRESENTS OUR INTERPRETATION OF THE INTENT OF THE CONTRACT DOCUMENTS. HOWEVER, THE STEEL FABRICATOR AND THE STRUCTURAL STEEL DETAILER ASSUME NO RESPONSIBILITY FOR THE ACCURACY OF THE INFORMATION SHOWN ON THIS DRAWING. THIS IS THE RESPONSIBILITY OF THE BUYER.

IT WILL BE ASSUMED THAT ALL INFORMATION SHOWN HEREIN HAS THE AFFIRMATION OF THE APPROVAL AUTHORITY UNLESS NOTED TO THE CONTRARY ON THIS DRAWING WHEN IT IS RETURNED FROM APPROVAL.

SUBSEQUENT CHANGES TO INFORMATION SHOWN ON THESE DRAWINGS AFTER FIRST SUBMISSION WILL BE CONSIDERED AS CONTRACT CHANGES.

ADOPTED BY THE NATIONAL INSTITUTE OF STEEL DETAILING 1977.

**FOR FIELD USE**

PAINT: ONE SHOP COAT U/NOTED						FOR FIELD
MATERIAL: A36 U/NOTED		10/25/12	PER CHECK			4th APPVL
HOLES: 13/16" Ø U/NOTED		8/22/12	ADDED PCMK's			3rd APPVL
ELECTRODES: E70XX (LH) or Equiv.		8/14/12	FOR APPROVAL			2nd APPVL
TOTAL WEIGHT		NO DATE	DESCRIPTION	NO DATE	DESCRIPTION	8/14/12 1st APPVL
SC	BC	BCSC	REVISIONS		DATE	ISSUE
CUSTOMER:						
DRAWINGS PREPARED BY: DIVISION FIVE DETAILING INC. 1810 Gallagher Drive Vineland, New Jersey 08360 Phone: (856) 794-9474 Fax: (856) 696-2027						
DRAFTER: D5	PROJECT: SAFAVIEH HOME FURNISHINGS	CONTRACT NO.				
DATE: 8/9/12	LOCATION: PARAMUS, NJ	DWG NO.				
CHECKED: JB	DWG TITLE: SECTIONS	DWG NO.		E4		
DATE: 10/25/12						